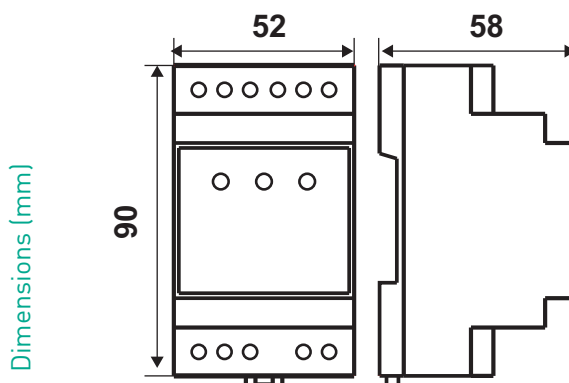


CH171D

Remote relay actuator for Intellicomfort CH150R

CH171D actuator, coupled with a Fantini Cosmi programmable thermostat by means of a bipolar cable, allows the remotely control of two users that typically represent the heating system and the humidification system.



Dimensions (mm)

	Mounting	Remote relay power supply	Contacts rating	Adjustable room temperature	Protection degree
CH171D	DIN rail	230Vca 50Hz	5(3)A 250Vca	45 °C	IP40 (back panel)

ELECTRICAL CHARACTERISTICS

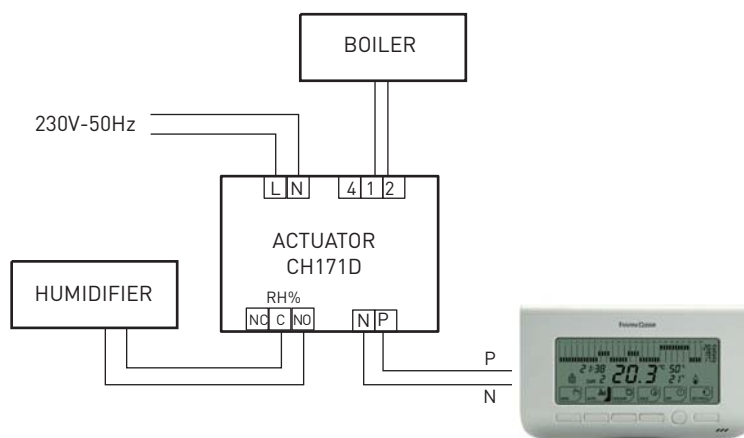
Power supply: 230V 50 Hz.

Absorbed power: 2VA.

Output relay parameters: 5(3)A 250 Vca.

Voltage-free switching contacts.

Disconnection type 1B.



HOMOLOGATION AND STANDARDS

Complies with EN60730-1 standards.

In conformity with R&TTE EN300 220-3, EN 301 489-03 directives.



INSTALLATION

Installation shall be performed according to the current rules.

The distance between the actuator and transmitter must not exceed 100 m.

Connect the cables to the terminal board base according to the shown wiring diagrams.

Back panel mounting.

OPERATION

CH171D actuator, coupled with a Fantini Cosmi programmable thermostat by means of a bipolar cable, allows the remotely control of two users that typically represent the heating system and the humidification system.

The bipolar cable that connects the programmable thermostat to CH171D actuator has two functions:

- Programmable thermostat power supply;
- Communication bus of the ON/OFF commands sent from the programmable thermostat to CH171D.

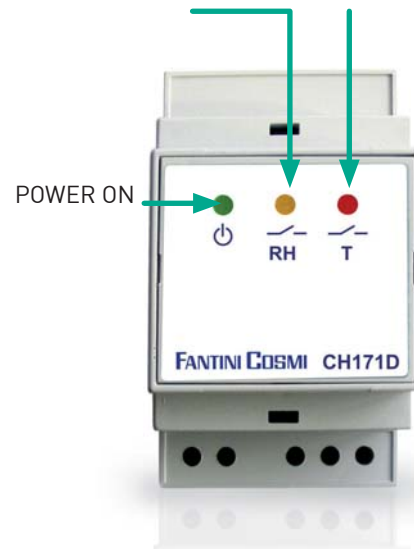
The receiving device operation CHARACTERISTICS three led giving the following indications:

POWER ON: when this led is on it indicates that the actuator is properly powered. Instantaneous and quickly flashing shows the receipt of the data sent via radio from the programmable thermostat.

RELAY CONTACT FOR HEATING: when this led is on it indicates that the relay contact used for heating is closed, otherwise it will be open.

RELAY CONTACT FOR HUMIDIFICATION: it indicates, if is on that the relay contact used for humidification is closed, otherwise it will be open.

CONTACT STATUS FOR HUMIDIFICATION CONTACT STATUS FOR HEATING



CHARACTERISTICS

Operating temperature: 45 °C.

Storage and transport ambient temperature: -25 ÷ 60 °C.

Voltage-free switching contacts.

Software class A.

☐ double insulation.