

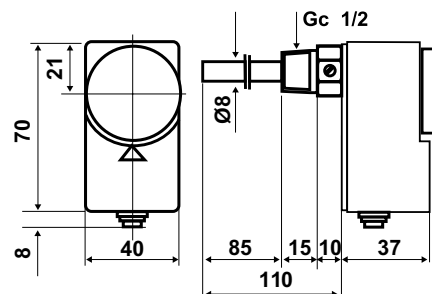
C03

Immersion thermostats for direct mounting

Thermostats for direct mounting on the pipeline, supplied with special casing for immersion into the controlled liquid. Suitable for boilers, heating systems, circulation pumps, burners, air heaters.

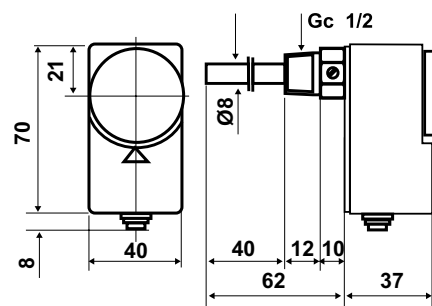


C03A3
C03B3



Dimensions (mm)

C03C3

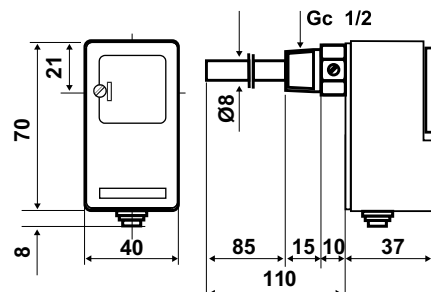


	Temperature range	Differential*	Calibration accuracy	Admissible body temperature	Maximum bulb temperature	Bulb length	Protection degree
C03A3	10 ÷ 90 °C	6 ± 1 K	± 3 °C	85 °C	150 °C	69 mm	IP40
C03B3	40 ÷ 120 °C	6 ± 1 K	± 3 °C	85 °C	150 °C	69 mm	IP40
C03C3	10 ÷ 90 °C	6 ± 1 K	± 3 °C	85 °C	135 °C	55 mm	IP40

Execution with internal regulation



Dimensions (mm)



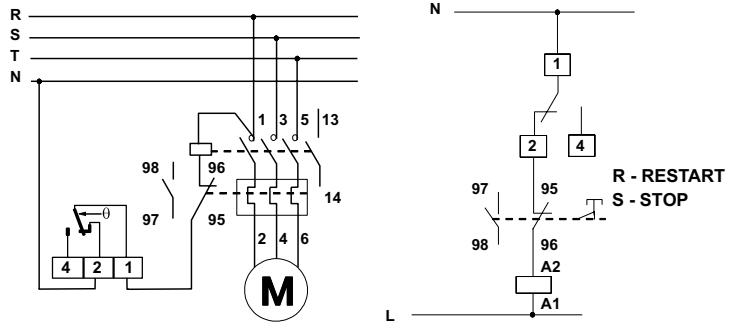
C03A3RI	10 ÷ 90 °C	6 ± 1 K	± 3 °C	85 °C	150 °C	IP40
C03B3RI	40 ÷ 120 °C	6 ± 1 K	± 3 °C	85 °C	150 °C	IP40

*The differential is subtracted from the range value. The differential values refer to a thermal gradient of 1K/hour in liquid and 4K/hour in air.

ELECTRICAL FEATURES

Two directions microswitch of instant action with AGcdO contacts.
 Contact parameters in compliance with EN 60730-1: 15(6)A 250V~ 50Hz.
 Parameters in compliance with EN 60947-5-1:

Nominal insulation voltage: U_i 380V~.
 Nominal continuous current: I_{th} 15A.
 Nominal operating current I_e 220V~ 250V~ 380V~
 Resistive load AC-12 - 15A 10A
 Inductive load AC-15 - 2,5A 1,5A
 Direct current DC-13 0,2A - -



STANDARDS AND APPROVALS

Compliance with standards EN 60947-5-1, EN 60730-1



INSTALLATION

Direct immersion mounting of the bulb through a threaded sheath GC 1/2 PN10 (included in the package).

OPERATION

When the temperature increases: 1-2 are opening, 1-4 are closing.
 Liquid expansion function.

FEATURES

Sensing element with stainless steel diaphragm.
 Copper bulb and capillary.
 Cooper sheath with connection Gc 1/2 PN10.
 Base, cover and knob in shock-proof self-extinguishing thermoplastic material V0.
 Electrical connection output with PVC cable gland.
 Storage and transport temperature: $-35 \div 120^\circ\text{C}$.

ACCESSORIES



303298LA
 Cable gland G1/2 for connection output in shock-proof self-extinguishing thermoplastic material V0.



G30
 Copper sheath Gc 1/2 PN10 bar with length 100mm \varnothing 8mm.

EXECUTION UPON REQUEST WITH FIXED CALIBRATION

Code C03TF xxx Example: C03TF 35 (with fixed calibration 35°C)



Calibration value

Calibration value must be between 20 ÷ 80°C.

EXECUTION UPON REQUEST WITH SPECIAL TEMPERATURE RANGE

Code C03A3 xx - yy xx= minimal range value
 yy= maximal range value

Example: C03A3 30-110 (adjustable value 30 ÷ 110°C)

	Temperature range (1) °C	Scale angle (*) °C
C03A xx yy	0 ÷ 50 °C	80

NOTE:

Special temperature range is chosen in the range of temperature (1) and must always exceed the set value "scale angle" (*).

EXAMPLE: 10 ÷ 90°C
 15 ÷ 95°C
 35 ÷ 115°C

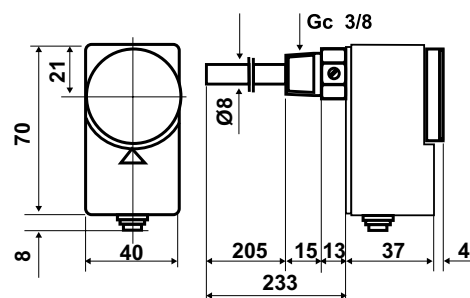
C08

Immersion thermostats with metallic shank

Control thermostats suitable for heating systems, bathrooms, drying boxes, etc.



Dimensions (mm)



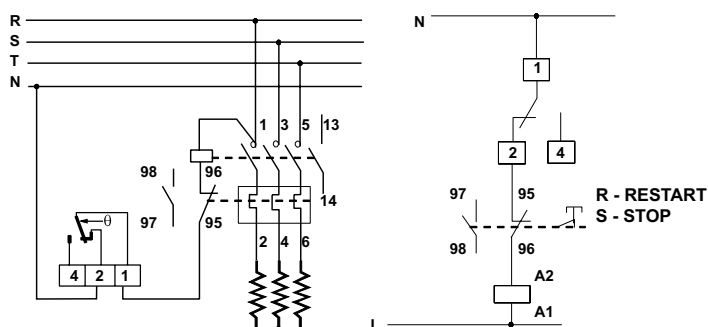
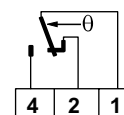
	Temperature range	Differential*	Calibration accuracy	Admissible body temperature	Maximum bulb temperature	Protection degree
C08A	0 ÷ 110 °C	6 ± 1 K	± 3 °C	85 °C	150 °C	IP40
C08B	90 ÷ 200 °C	6 ± 2 K	± 3 °C	85 °C	250 °C	IP40

*The differential is subtracted from the range value. The differential values refer to a thermal gradient of 1K/hour in liquid and 4K/hour in air.

ELECTRICAL FEATURES

Two directions microswitch of instant action with AGcdO contacts.
 Contact parameters in compliance with EN 60730-1: 15(6)A 250V~ 50Hz.
 Parameters in compliance with EN 60947-5-1:

Nominal insulation voltage: U_i 380V~.
 Nominal continuous current: I_{th} 15A.
 Nominal operating current I_e : 220V~ 250V~ 380V~
 Resistive load AC-12 - 15A 10A
 Inductive load AC-15 - 2,5A 1,5A
 Direct current DC-13 0,2A - -



STANDARDS AND APPROVALS

Compliance with standards EN 60947-5-1, EN 60730-1



INSTALLATION

Immersion mounting with threaded brass sheath with connection GC 3/8-PN10 (included in the package).
Is required Gc 1/2" sheath, code G25.

FEATURES

Bimetal (invar-brass) sensing element.
Brass protection sheath with connection Gc 3/8- PN10.
Base, cover and knob in shock-proof self-extinguishing thermoplastic material V0.
Electrical connection output with PVC cable gland.
The storage and transport temperature: $-35 \div 120^{\circ}\text{C}$.
Unit weight: 0,26 Kg.

OPERATION

When the temperature increases: 1-2 are opening, 1-4 are closing.
Bimetal operation.

ACCESSORIES



303298LA
Cable gland G1/2 for connection output in shock-proof self-extinguishing thermoplastic material V0.



G25
Copper sheath GC 1/2 PN10 bar, length 220 mm, Ø 8mm.